



**SOLUTION  
FOR  
CVS FOOD  
LAYOUT**

WFF Refrigeration Sales And Services Sdn Bhd

 [wffref@yahoo.com](mailto:wffref@yahoo.com)  03-7846 4023



# Multiple types of shelves

## Forward-slop Drawer With Roller Slide

Suitable for display of bottle drinks, and boxed items of a certain weight.



### Placed

1. The shelf will tilt downward.
2. After goods in the front row been taken, the back row`s will slide forward automatically, which will reduce the workload of the stuff.
3. More convenient for shop assistants to follow the rule of "first in first out".

### Slided out

The shelf is in a level state, which is convenient for replenish.

## Slide Shelf For Bottom Layer

1. It is hard to replenish to the fixed bottom layer.
2. It is more easier to replenish after slide out the additional shelf.



## Forward-slop Drawer With Roller Slide

1. Suitable for Glass-door Cabinete.
2. The rear bottles will slide forward automatically after the front ones been taken away.
3. The Vision is fuller, because the bottle behind is higher and higher.



## Forward-slop Shelf With Roller Slide



## Fixed / Drawer

Fixed Metal / Glass Shelf  
Drawer of Metal / Glass



# Different types of Side Wall

The thickness of side wall is reduced from 30mm to 20mm.

## Multiple Material and Shapes

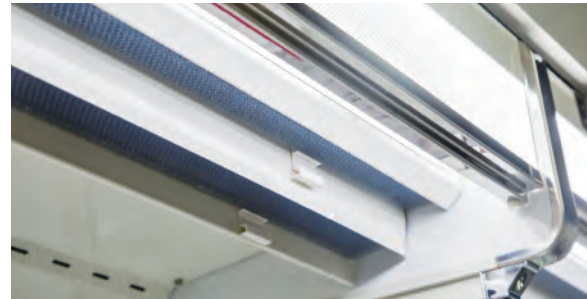
- Metal with rectangle glass.
- Metal with trapezoid glass.
- Board with single side mirror





# Air Curtain and Cool Storage fittings

## Double Cooling Air Curtain



### Curtain

Cover the case when closing to store cooling capacity.



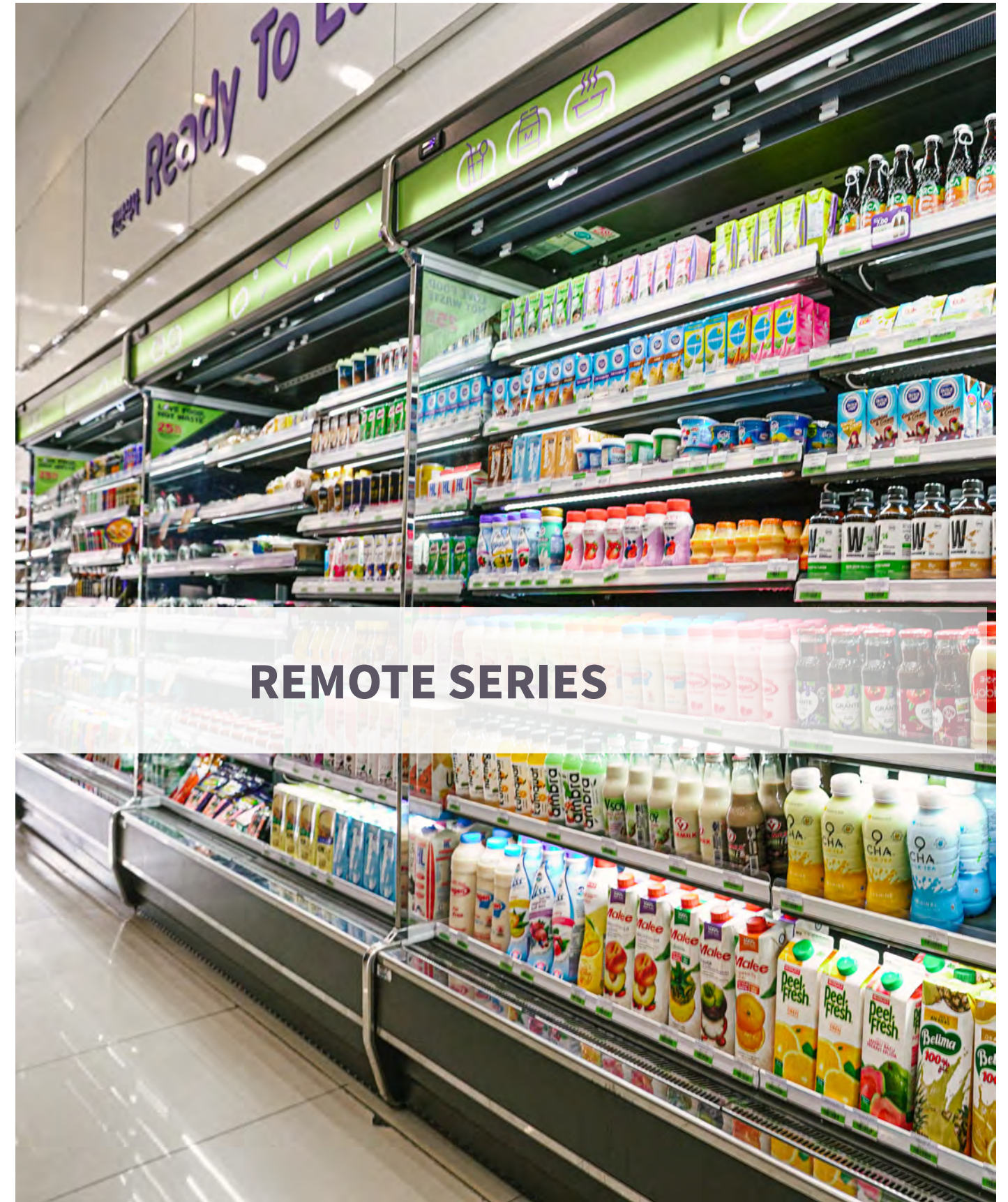
## DC Motor and Efficient Evaporator

Silent operating and energy saving.



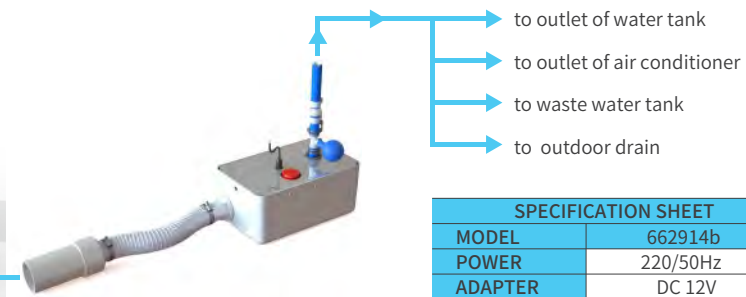
## Sliding Door and Opening door

Two types of door are optional.



# Drainage System For Plug-in Freezer

1. The system can be selected when there is no drainage pipe in the room.
2. There is a centrifugal pump, which is not easy to block.
3. The air in the pipeline can be discharged by squeezing the balloon.
4. The filter screen can intercept garbage and give an alarm.
5. The filter screen can be taken out without tools.
6. DC working, no dangerous.



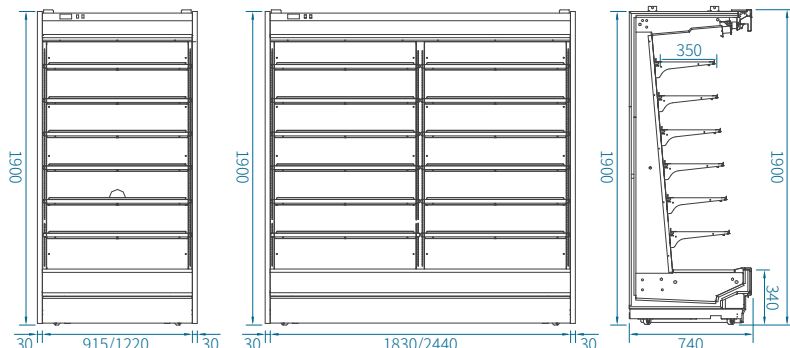
SPECIFICATION SHEET	
MODEL	662914b
POWER	220/50Hz
ADAPTER	DC 12V
WATER-LIFT	4m
FLOW	700(L/H)
DIMENSION	210*130*100mm



# Remote Open Multideck



		configuration	
component		standard	options
shelf	layer	7	optional
	form	fixed glass	fixed metal
			removable glass
			removable metal
		bottom removable metal pole	
light	LED light box	Y	/
	inner top LED shelf LED	Y	/
manual curtain		NO	optional
electric curtain			
sliding-door			
swing-door			
top coaming			
color	outside	white	optional
	inside		
	skirting board	silver gray	optional
side wall (L/R)		NO	Inlaid glass with narrow square glass with single side mirror with single side mirror door
middle wall		NO	glass wall with mirror door



SPECIFICATION SHEET									
MODEL	GOC-M19034-R03			GOC-M19034-R04			GOC-M19034-R06		
DESCRIPTION	3FT Remote Open Multideck			4FT Remote Open Multideck			6FT Remote Open Multideck		
TEMPERATURE	-1~7°C (M2)			-1~7°C (M2)			-1~7°C (M2)		
CLIMATE	25°C 60%RH (3 Class)			25°C 60%RH (3 Class)			25°C 60%RH (3 Class)		
DIMENSION (W/O SIDE WALL)	Length	Depth	Height	Length	Depth	Height	Length	Depth	Height
	915mm	740mm	1900mm	1220mm	740mm	1900mm	1830mm	740mm	1900mm
VOLUME	400L			525L			800L		
CAPACITY	1450W @-10Te			1912W @-10Te			2450W @-10Te		
POWER	220V,50Hz / 67W			220V,50Hz / 104W			220V,50Hz / 126W		
WEIGHT	197Kg			240Kg			394Kg		
REFRIGERANT	R404a			R404a			R404a		
MODEL	GOC-M19034-R08			GOC-M19034-R09			GOC-M19034-RLIC		
DESCRIPTION	8FT Remote Open Multideck			9FT Remote Open Multideck			90° Inward Remote Open Multideck		
TEMPERATURE	-1~7°C (M2)			-1~7°C (M2)			-1~7°C (M2)		
CLIMATE	25°C 60%RH (3 Class)			25°C 60%RH (3 Class)			25°C 60%RH (3 Class)		
DIMENSION (W/O SIDE WALL)	Length	Depth	Height	Length	Depth	Height	Length	Depth	Height
	2440mm	740mm	1900mm	2745mm	740mm	1900mm	1000mm	740mm	1900mm
VOLUME	1213L			1365L			462L		
CAPACITY	3824W @-10Te			4286W @-10Te			1800W @-10Te		
POWER	220V,50Hz / 208W			220V,50Hz / 245W			220V,50Hz / 118W		
WEIGHT	480Kg			590Kg			220Kg		
REFRIGERANT	R404a			R404a			R404a		



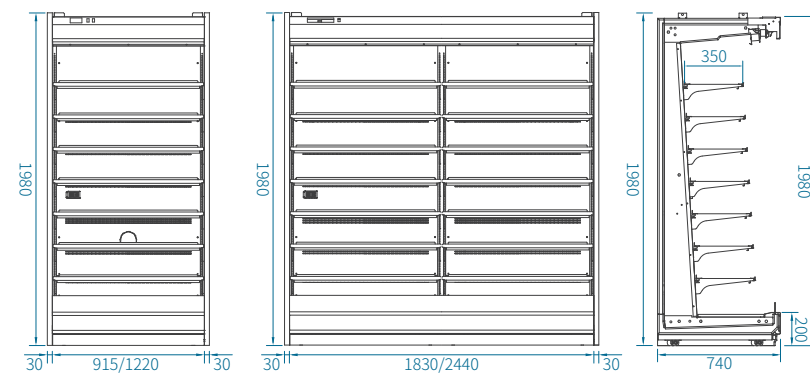
# Remote Open Multideck LF (With Low Front)



With Low Front

## Maximize of Vision

1. The front structure is lowered to 200mm, increasing the display area by 10%.
2. Especially suitable for mini store.
3. sliding door or opening door is optional.



component		configuration	
		standard	options
shelf	layer	7	optional
	form	fixed glass	fixed metal
			removable glass
			removable metal
		bottom removable metal	
		metal pole	
light	LED light box	Y	/
	inner top LED	Y	/
	shelf LED	/	/
	manual curtain		
	electric curtain	NO	optional
	sliding-door		
	swing-door		
	top coaming		
color	outside	white	optional
	inside		
	skirting board	silver gray	optional
side wall (L/R)		NO	Inlaid glass
			with narrow square glass
			with single side mirror
			with single side mirror door
middle wall		NO	glass wall
			with mirror door

SPECIFICATION SHEET												
MODE	GOC-M19820-R03			GOC-M19820-R04			GOC-M19820-R06			GOC-M19820-R08		
DESCRIPTION	3FT Remote Open Multideck LF			4FT Remote Open Multideck LF			6FT Remote Open Multideck LF			8FT Remote Open Multideck LF		
TEMPERATURE	-1~7°C (M2)			-1~7°C (M2)			-1~7°C (M2)			-1~7°C (M2)		
CLIMATE	25°C 60%RH (3 Class)			25°C 60%RH (3 Class)			25°C 60%RH (3 Class)			25°C 60%RH (3 Class)		
DIMENSION (W/O SIDE WALL)	Length	Depth	Height	Length	Depth	Height	Length	Depth	Height	Length	Depth	Height
	915mm	740mm	1980mm	1220mm	740mm	1980mm	1830mm	740mm	1980mm	2440mm	740mm	1980mm
VOLUME	450L			600L			900L			1200L		
CAPACITY	1540W @-10Te			2026W @-10Te			2450W @-10Te			3824W @-10Te		
POWER	220V,50Hz / 73W			220V,50Hz / 104W			220V,50Hz / 138W			220V,50Hz / 208W		
WEIGHT	197Kg			240Kg			394Kg			480Kg		
REFRIGERANT	R404a			R404a			R404a			R404a		

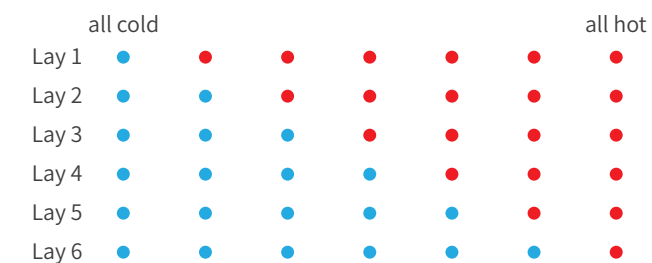


# Remote Open Multifunctional Series

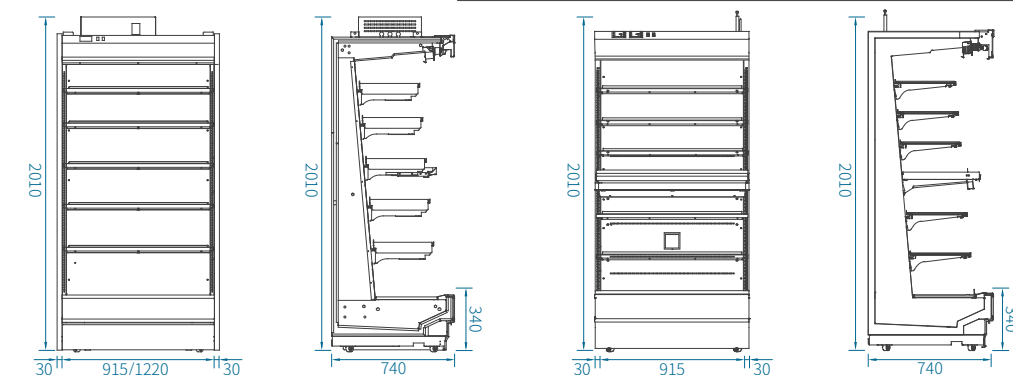
The decks can be switch to hot or cold easily.



## Deck Temperature Mode



component		configuration	
		standard	options
shelf	layer	6	/
light	LED light box	Y	/
top coaming		N	optional
color	outside	/	/
	inside	white	/
	skirting board	silver gray	/
side wall (L/R)		N	Inlaid glass with narrow square glass with single side mirror door
middle wall		N	glass wall with mirror door



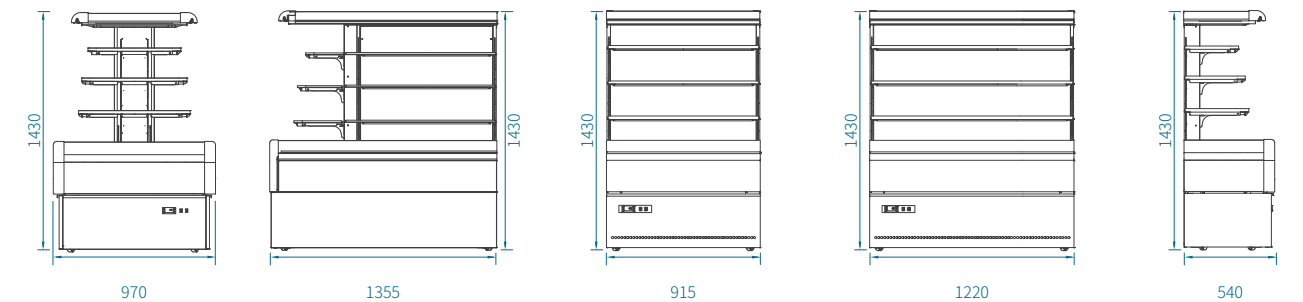
SPECIFICATION SHEET						
MODEL	GOC-S19034-R03			GOC-DT19034-R03		
DESCRIPTION	3FT Remote Hot&Chill Open Multideck			3FT Remote Dual Temperature Multideck		
TEMPERATURE	45~55°C/-1~7°C (M2)			18±2°C/-1~7°C (M2)		
CLIMATE	25°C 60%RH (3 Class)			25°C 60%RH (3 Class)		
DIMENSION (W/O SIDE WALL)	Length	Depth	Height	Length	Depth	Height
	915mm	740mm	2010mm	915mm	740mm	2010mm
VOLUME	379L			400L		
CAPACITY	1450W @-10Te			1450W @-10Te		
POWER	220V,50Hz / 3020W			220V,50Hz / 128W		
WEIGHT	257Kg			201Kg		
REFRIGERANT	R404a			R404a		



# Remote Crown Case



		configuration	
component		standard	options
shelf	layer	4	/
	form	fixed glass	/
light	Top LED	Y	/
	LED light box	N	optional
	shelf LED	N	optional
manual curtain		N	optional
color	outside	white	optional
	inside	white	optional
	skirting board	silver gray	optional
side wall		N	Inlaid glass single side mirror
middle wall		N	dual side mirror



SPECIFICATION SHEET												
MODEL	GOC-M1456-RU			GOC-M1456-R03			GOC-M1456-R04			GOC-M1456-RD		
DESCRIPTION	Remote Crown Case Tip Set			3FT Remote Crown Case			4FT Remote Ccrown Case			Remote Crown Case Tip Set		
TEMPERATURE	1~10°C (H1)			1~10°C (H1)			1~10°C (H1)			1~10°C (H1)		
CLIMATE	25°C 60%RH (3 Class)			25°C 60%RH (3 Class)			25°C 60%RH (3 Class)			25°C 60%RH (3 Class)		
DIMENSION (W/O SIDE WALL)	Length	Depth	Height	Length	Depth	Height	Length	Depth	Height	Length	Depth	Height
	1355mm	970mm	1430mm	915mm	970mm	1430mm	1220mm	970mm	1430mm	540mm	970mm	1430mm
VOLUME	395L			275L			367L			135L		
CAPACITY	2400W @-10Te			1500W @-10Te			2000W @-10Te			1200W @-10Te		
POWER	220V,50Hz / 324W			220V,50Hz / 184W			220V,50Hz / 250W			220V,50Hz / 192W		
WEIGHT	215Kg			125Kg			165Kg			100Kg		
REFRIGERANT	R404a			R404a			R404a			R404a		





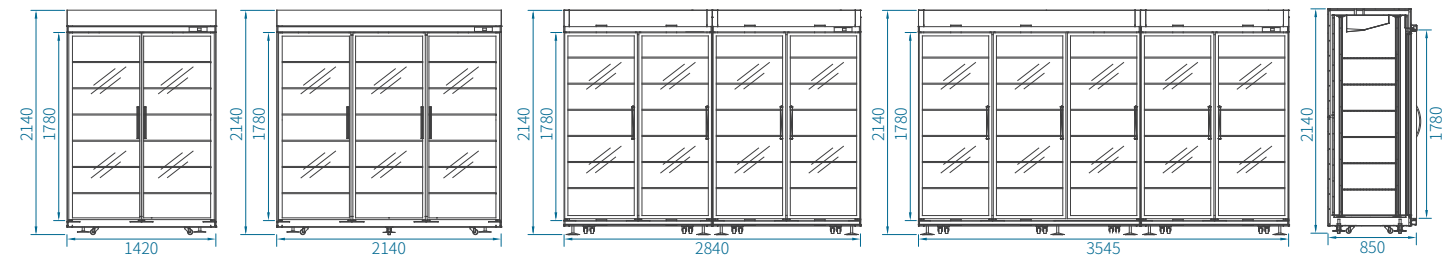
## Remote Glass-door Chiller (or with real sliding door)

The rear sliding case is suitable for replacing the partition wall between the warehouse and the showcase. It is convenient to move the goods from the warehouse's shelf to fill the showcase, and which will reduce the handling workload. And it also saves space.



configuration			
component	standard	options	
shelf	layer	6	7
	form	grid+slideway	grid
			Forward-slop Shelf With Roller Slide
light	LED light box	N	optional
	Inner LED	Y	N
color	outside	white	N
	inside		N
doorframe	aluminium alloy	N	

\*Not used for rear sliding door type



SPECIFICATION SHEET												
MODEL	GGF-M2D-RB			GGF-M3D-RB			GGF-M4D-RB			GGF-M5D-RB		
DESCRIPTION	2 Doors Remote Chiller			3 Doors Remote Chiller			4 Doors Remote Chiller			5 Doors Remote Chiller		
TEMPERATURE	2~8°C (M2)			2~8°C (M2)			2~8°C (M2)			2~8°C (M2)		
CLIMATE	25°C 60%RH (3 Class)			25°C 60%RH (3 Class)			25°C 60%RH (3 Class)			25°C 60%RH (3 Class)		
DIMENSION	Length	Depth	Height	Length	Depth	Height	Length	Depth	Height	Length	Depth	Height
	1420mm	850mm	2140mm	2140mm	850mm	2140mm	2840mm	850mm	2140mm	3545mm	850mm	2140mm
VOLUME	1600L			2400L			2923L			3654L		
CAPACITY	540W @-10Te			810W @-10Te			1050W @-10Te			1300W @-10Te		
POWER	220V,50Hz / 450W			220V,50Hz / 624W			220V,50Hz / 669W			220V,50Hz / 903W		
WEIGHT	162Kg			240Kg			447Kg			558Kg		
REFRIGERANT	R404a			R404a			R404a			R404a		

The back board can be provided with sliding door.



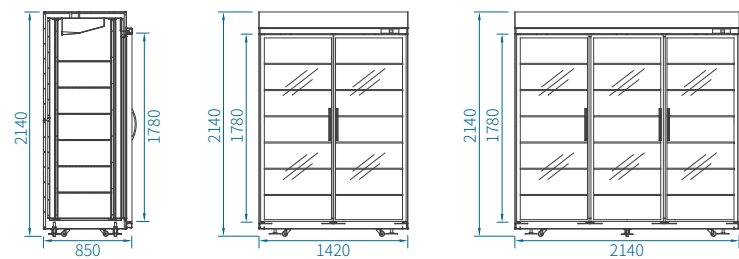
# Remote Glass-door Freezer



PLUG-IN SERIES >>>



configuration			
component	standard	options	
shelf	layer	6	7
shelf	form	grid+slideway	grid
light	LED light box	N	optional
	Inner LED	Y	N
color	outside	white	N
	inside		N
doorframe	aluminium alloy		N



SPECIFICATION SHEET						
MODEL	GGF-L2D-RB			GGF-L3D-RB		
DESCRIPTION	2 Doors Remote Chiller			3 Doors Remote Chiller		
TEMPERATURE	≤-18°C(L1)			≤-18°C(L1)		
CLIMATE	25°C 60%RH (3 Class)			25°C 60%RH (3 Class)		
DIMENSION	Length	Depth	Height	Length	Depth	Height
	1420mm	850mm	2140mm	2140mm	850mm	2140mm
VOLUME	1600L			2400L		
CAPACITY	1450W@-10Te			2150W@-10Te		
POWER	220V,50Hz / 529W			220V,50Hz / 661W		
WEIGHT	202Kg			300Kg		
REFRIGERANT	R404a			R404a		



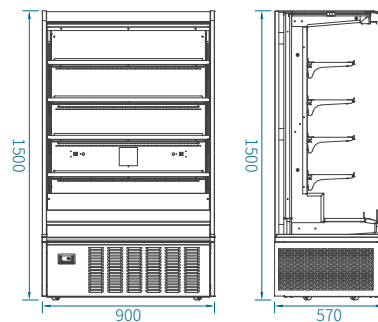
# Half-height Plug-in Multideck / (HOT&CHILL) 1500H



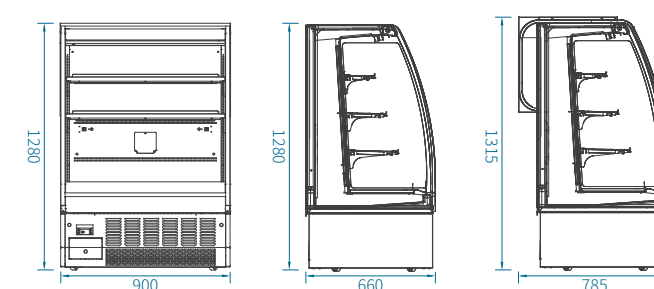
configuration			
component	standard	options	
shelf	layer	4	N
	form	fixed glass	drawer-type
light	inner top LED	Y	N
	shelf LED	N	optional
manual curtain	N	optional	
color	outside	white	optional
	unit cover	silver gray	optional
side wall	glass	N	

Deck Temperature Mode			
	-1~7°C	45~55°C	
	●	●	●
All Cool	●	●	●
Hot+Cool	●	●	●
All Hot	●	●	●
Lay 1	●	●	●
Lay 2	●	●	●
Lay 3	●	●	●
Lay 4	●	●	●
Lay 5	●	●	●



# Half-height Plug-in Multideck



configuration			
component	standard	options	
shelf	layer	4	N
	form	fixed glass	N
light	inner top LED	Y	N
	shelf LED	N	optional
manual curtain	Y	N	
rolling shutter door	N	optional	
color	outside	white	optional
	unit cover	silver gray	optional
side wall	glass	N	

SPECIFICATION SHEET						
MODEL	GOC-M15041-P03			OC-Q15041-P03		
DESCRIPTION	3FT Half-height Plug-in Multideck 1500H			3FT Half-height Plug-in Multideck 1500H/(HOT&CHILL)		
TEMPERATURE	-1~7°C (M2)			45~55°C / -1~7°C (M2)		
CLIMATE	25°C 60%RH (3 Class)			25°C 60%RH (3 Class)		
DIMENSION (WITH SIDE WALL)	Length	Depth	Height	Length	Depth	Height
	900mm	570mm	1500mm	900mm	570mm	1500mm
VOLUME	243L			243L		
POWER	220V,50Hz / 1150W			220V,50Hz / 1742W		
WEIGHT	95Kg			105Kg		
REFRIGERANT	R404a			R404a		

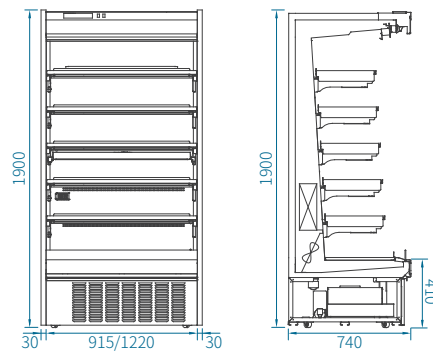
SPECIFICATION SHEET			
MODEL	GOC-M12841-P03		
DESCRIPTION	3FT Half-height Plug-in 1280H Multideck		
TEMPERATURE	-1~7°C (M2)		
CLIMATE	25°C 60%RH (3 Class)		
DIMENSION (WITH SIDE WALL)	Length	Depth	Height
	900mm	660mm	1280mm
VOLUME	160L		
POWER	220V,50Hz / 1080W		
WEIGHT	85Kg		
REFRIGERANT	R404a		



# Plug-in Multideck 1900H



component		configuration	
component	standard	options	
shelf	layer	7	optional
	form	fixed metal	
		removable glass	
	removable metal		
	metal pole		
light	LED light box	Y	-
	inner top LED shelf LED	Y	-
manual curtain			
electric curtain	NO		optional
sliding-door			
swing-door			
color	outside	white	optional
	inside		
unit cover	silver gray		optional
side wall (L/R)	NO		Inlaid glass with narrow square glass with single side mirror with single side mirror door
middle wall	NO		glass wall with mirror door



SPECIFICATION SHEET									
MODEL	GOC-M19041-P03			GOC-M19041-P04			GOC-M19041-P06		
DESCRIPTION	3FT Plug-in Multideck 1900H			4FT Plug-in Multideck 1900H			6FT Plug-in Multideck 1900H		
TEMPERATURE	-1~7°C (M2)			-1~7°C (M2)			-1~7°C (M2)		
CLIMATE	25°C 60%RH (3 Class)			25°C 60%RH (3 Class)			25°C 60%RH (3 Class)		
DIMENSION (W/O SIDE WALL)	Length	Depth	Height	Length	Depth	Height	Length	Depth	Height
	915mm	740mm	1900mm	1220mm	740mm	1900mm	1830mm	740mm	1900mm
VOLUME	379L			535L			758L		
POWER	220V,50Hz / 1334W			220V,50Hz / 1974W			220V,50Hz / 2328W		
WEIGHT	257Kg			300Kg			450Kg		
REFRIGERANT	R404a			R404a			R404a		

# Plug-in Hot & Chill Multideck 1900H



The decks can be switch to hot or cold easily.

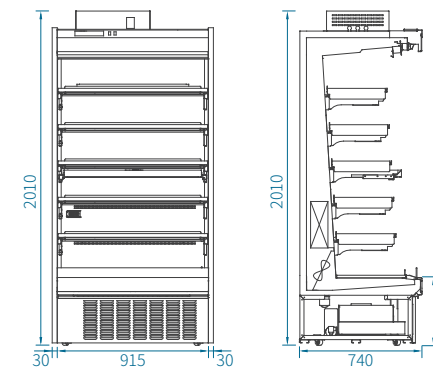


Deck Temperature Mode

- -1~7°C
- 45~55°C

	all cold			all hot
Lay 1	●	●	●	●
Lay 2	●	●	●	●
Lay 3	●	●	●	●
Lay 4	●	●	●	●
Lay 5	●	●	●	●
Lay 6	●	●	●	●

component		configuration	
component	standard	options	
shelf	layer	6	/
light	LED light box	Y	/
top coaming		N	optional
color	outside	white	/
	inside		/
	unit cover	silver gray	/
side wall (L/R)		N	Inlaid glass with narrow square glass with single side mirror door glass wall
middle wall		N	with mirror door



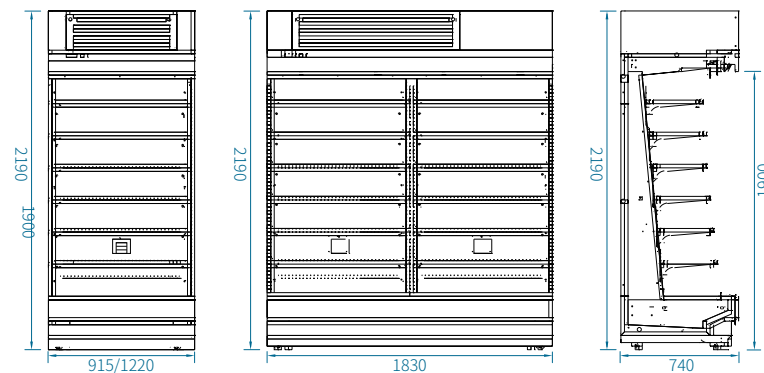
SPECIFICATION SHEET			
MODEL	GOC-S19041-P03		
DESCRIPTION	3FT plug-in Hot&Chill Multideck 1900H		
TEMPERATURE	-1~7°C(M2) / 45~55°C		
CLIMATE	25°C 60%RH (3 Class)		
DIMENSION (W/O SIDE WALL)	Length	Depth	Height
	915mm	740mm	2010mm
VOLUME	379L		
POWER	220V,50Hz / 3020W		
WEIGHT	257Kg		
REFRIGERANT	R404a		



## Plug-in Multideck With Top Refrigerator



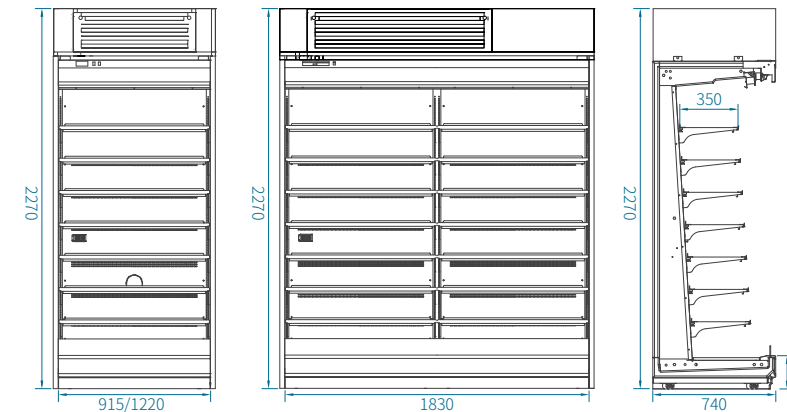
configuration			
component	standard	options	
shelf	layer	7	optional
	form	fixed glass	fixed metal
			removable glass
			removable metal
			bottom removable metal metal pole
light	LED light box	Y	/
	inner top LED shelf LED	Y	/
manual curtain	NO	optional	
electric curtain			
sliding-door			
swing-door			
top coaming			
color	outside	white	optional
	inside		
	skirting board	silver gray	optional
side wall (L/R)	NO		Inlaid glass with narrow square glass with single side mirror with single side mirror door glass wall
middle wall	NO		glass wall with mirror door



## Low-Front Plug-in Multideck With Top Refrigerator



configuration			
component	standard	options	
shelf	layer	7	optional
	form	fixed glass	fixed metal
			removable glass
			removable metal
			bottom removable metal metal pole
light	LED light box	Y	/
	inner top LED shelf LED	Y	/
manual curtain	NO	optional	
electric curtain			
sliding-door			
swing-door			
top coaming			
color	outside	white	optional
	inside		
	skirting board	silver gray	optional
side wall (L/R)	NO		Inlaid glass with narrow square glass with single side mirror with single side mirror door glass wall
middle wall	NO		glass wall with mirror door

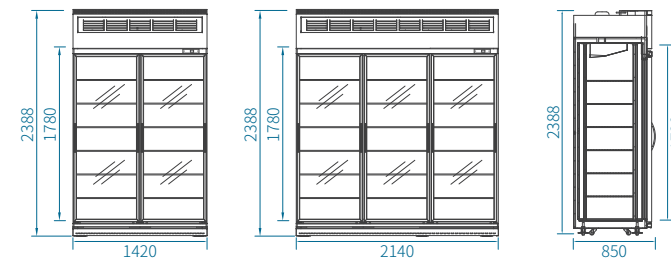


参数表 SPECIFICATION SHEET									
MODEL	GOC-M21534-P03			GOC-M21534-P04			GOC-M21534-P06		
DESCRIPTION	3FT Plug-in Multideck WTR			4FT Plug-in Multideck WTR			6FT Plug-in Multideck WTR		
TEMPERATURE	-1~7°C (M2)			-1~7°C (M2)			-1~7°C (M2)		
CLIMATE	25°C 60%RH (3 Class)			25°C 60%RH (3 Class)			25°C 60%RH (3 Class)		
DIMENSION (W/O SIDE WALL)	Length	Depth	Height	Length	Depth	Height	Length	Depth	Height
	915mm	740mm	2190mm	1220mm	740mm	2190mm	1830mm	740mm	2190mm
VOLUME	400L			525L			800L		
POWER	220V,50Hz / 1400W			220V,50Hz / 2152W			220V,50Hz / 2372W		
WEIGHT	230Kg			300Kg			461Kg		
REFRIGERANT	R404a			R404a			R404a		

SPECIFICATION SHEET									
MODEL	GOC-M21534-P03			GOC-M21534-P04			GOC-M21534-P06		
DESCRIPTION	3FT LF Plug-in Multideck WTR			4FT LF Plug-in Multideck WTR			6FT LF Plug-in multideck WTR		
TEMPERATURE	-1~7°C (M2)			-1~7°C (M2)			-1~7°C (M2)		
CLIMATE	25°C 60%RH (3 Class)			25°C 60%RH (3 Class)			25°C 60%RH (3 Class)		
DIMENSION (W/O SIDE WALL)	Length	Depth	Height	Length	Depth	高Height	Length	Depth	Height
	915mm	740mm	2270mm	1220mm	740mm	2270mm	1830mm	740mm	2270mm
VOLUME	450L			600L			900L		
POWER	220V,50Hz / 1400W			220V,50Hz / 2152W			220V,50Hz / 2372W		
WEIGHT	230Kg			300Kg			461Kg		
REFRIGERANT	R404a			R404a			R404a		



# Plug-in Glass-door Chiller With Top Refrigerator (or with real sliding door)



			configuration	
component	standard	options		
shelf	layer	6	7	
	form	grid+slideway	grid Forward-slop Shelf With Roller Slide Forward-slop Drawer With Roller Slide*	
light	LED DM box	N	optional	
	Inner LED	Y	N	
color	outside	white	N	
	inside	white	N	
unit cover	silver gray	optional		
doorframe	aluminium alloy	N		

\*Not used for rear sliding door type

SPECIFICATION SHEET									
MODEL	GGF-M2D-PB			GGF-M3D-PB			GGF-M4D-PB		
DESCRIPTION	2 doors Plug-in Chiller WTR			3 doors Plug-in Chiller WTR			4 doors Plug-in Chiller WTR		
TEMPERATURE	2~8°C(M2)			2~8°C(M2)			2~8°C(M2)		
CLIMATE	25°C 60%RH (3 Class)			25°C 60%RH (3 Class)			25°C 60%RH (3 Class)		
DIMENSION	Length	Depth	Height	Length	Depth	Height	Length	Depth	Height
	1420mm	850mm	2388mm	2140mm	850mm	2388mm	2840mm	850mm	2388mm
VOLUME	1600L			2400L			2923L		
POWER	220V,50Hz / 1581W			220V,50Hz / 1752W			220V,50Hz / 1923W		
WEIGHT	221Kg			335Kg			542Kg		
REFRIGERANT	R404a			R404a			R404a		

SPECIFICATION SHEET									
MODEL	GGF-M2D-PB			GGF-M3D-PB			GGF-M4D-PB		
DESCRIPTION	2 doors Plug-in Real-Sliding Chiller WTR			3 doors Plug-in Real-Sliding Chiller WTR			4 doors Plug-in Real-Sliding Chiller WTR		
TEMPERATURE	2~8°C(M2)			2~8°C(M2)			2~8°C(M2)		
CLIMATE	25°C 60%RH (3 Class)			25°C 60%RH (3 Class)			25°C 60%RH (3 Class)		
DIMENSION	Length	Depth	Height	Length	Depth	Height	Length	Depth	Height
	1420mm	850mm	2388mm	2140mm	850mm	2388mm	2840mm	850mm	2388mm
VOLUME	1600L			2400L			2923L		
POWER	220V,50Hz / 1581W			220V,50Hz / 1752W			220V,50Hz / 1923W		
WEIGHT	221Kg			335Kg			542Kg		
REFRIGERANT	R404a			R404a			R404a		



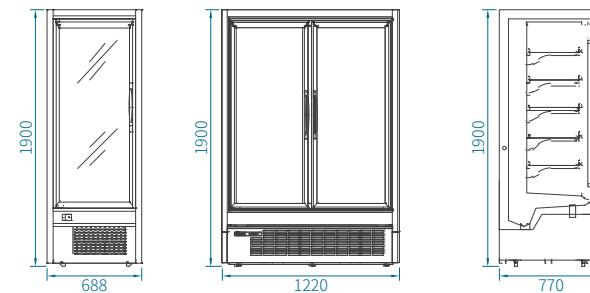
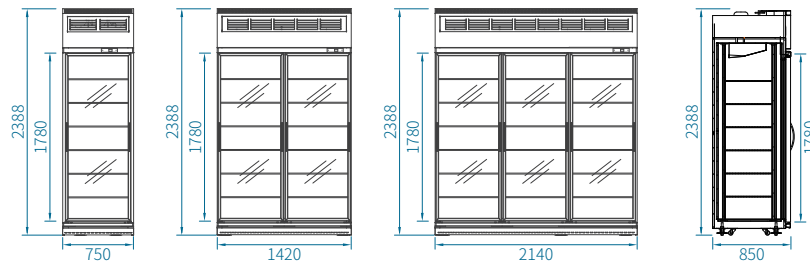
## Plug-in Glass-door Freezer With Top Refrigerator



## Plug-in Glass-door Freezer With Bottom Refrigerator



configuration			
component	standard	options	
shelf	layer	6	7
	form*	grid	N
light	Inner LED	Y	N
	outside	white	optional
color	inside	silver gray	
doorframe	aluminium alloy	N	



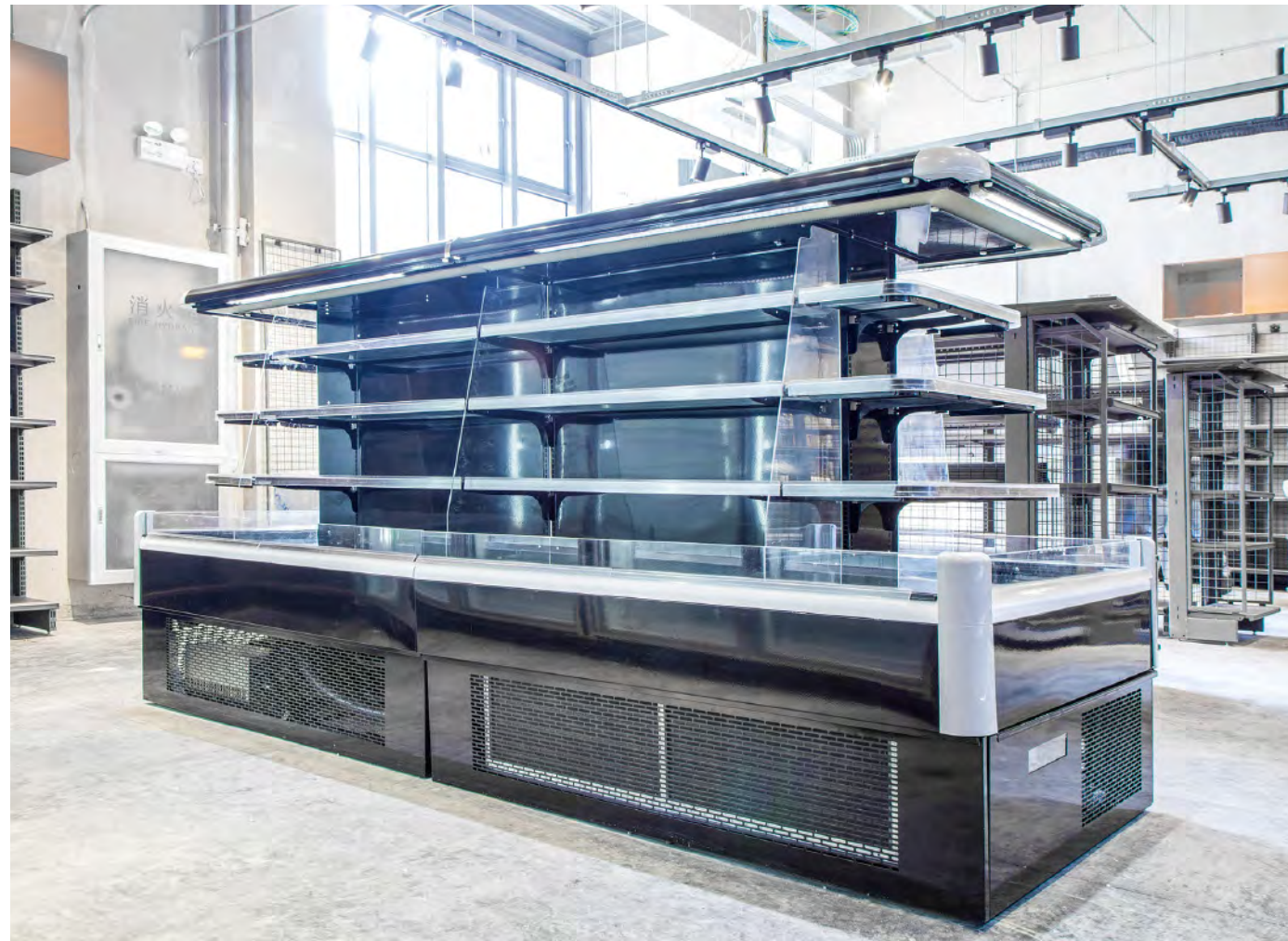
configuration			
component	standard	options	
shelf	layer	6	7
	form*	grid	N
light	Inner LED	Y	N
	outside	white	optional
color	inside	silver gray	
doorframe	aluminium alloy	N	

SPECIFICATION SHEET									
MODEL	GGF-L1D-PDB			GGF-L2D-PDB			GGF-L3D-PDB		
DESCRIPTION	1 door Plug-in Freezer WTR			2 doors Plug-in Freezer WTR			3 doors Plug-in Freezer WTR		
TEMPERATURE	≤-18°C(L1)			≤-18°C(L1)			≤-18°C(L1)		
CLIMATE	25°C 60%RH (3 Class)			25°C 60%RH (3 Class)			25°C 60%RH (3 Class)		
DIMENSION	Length	Depth	Height	Length	Depth	Height	Length	Depth	Height
	750mm	850mm	2388mm	1420mm	850mm	2388mm	2140mm	850mm	2388mm
VOLUME	700L			1600L			2400L		
POWER	220V,50Hz / 1995W			220V,50Hz / 2694W			220V,50Hz / 3659W		
WEIGHT	176Kg			280Kg			425Kg		
REFRIGERANT	R404a			R404a			R404a		

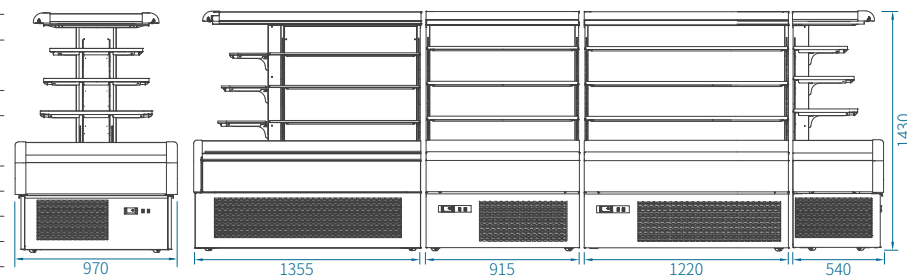
SPECIFICATION SHEET						
MODEL	GGF-L1D-P19			GGF-L2D-P19		
DESCRIPTION	1 door Plug-in Freezer WBR			2 doors Plug-in Freezer WBR		
TEMPERATURE	≤-18°C(L1)			≤-18°C(L1)		
CLIMATE	25°C 60%RH (3 Class)			25°C 60%RH (3 Class)		
DIMENSION	Length	Depth	Height	Length	Depth	Height
	688mm	770mm	1900mm	1220mm	770mm	1900mm
VOLUME	279L			570L		
POWER	220V,50Hz / 1160W			220V,50Hz / 1406W		
WEIGHT	140Kg			280Kg		
REFRIGERANT	R404a			R404a		



## Plug-in Crown Case

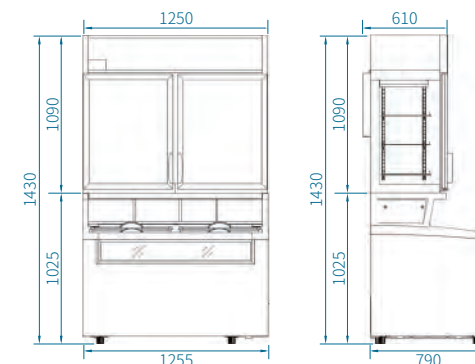


configuration			
component	standard	options	
shelf	layer	4	/
	form	fixed glass	/
light	Top LED	Y	/
	LED light box shelf LED	N	optional
manual curtain	N	optional	
color	outside	white	optional
	unit covering	silver gray	optional
side wall	N	Inlaid glass single side mirror	
middle wall	N	dual side mirror	



MODEL	SPECIFICATION SHEET											
	GOC-M1456-PU			GOC-M1456-P03			GOC-M1456-P04			GOC-M1456-PD		
DESCRIPTION	Plug-in Crown Case Tip Set			3FT Plug-in Crown Case			4FT Plug-in Crown Case			Plug-in Crown Case Tip Set		
TEMPERATURE	1~10°C (H1)			1~10°C (H1)			1~10°C (H1)			1~10°C (H1)		
CLIMATE	25°C 60%RH (3 Class)			25°C 60%RH (3 Class)			25°C 60%RH (3 Class)			25°C 60%RH (3 Class)		
DIMENSION (W/O SIDE WALL)	Length	Depth	Height	Length	Depth	Height	Length	Depth	Height	Length	Depth	Height
	1355mm	970mm	1430mm	915mm	970mm	1430mm	1220mm	970mm	1430mm	540mm	970mm	1430mm
VOLUME	395L			275L			367L			135L		
POWER	220V,50Hz / 2120W			220V,50Hz / 1465W			220V,50Hz / 1750W			220V,50Hz / 1012W		
WEIGHT	240Kg			160Kg			215Kg			100Kg		
REFRIGERANT	R404a			R404a			R404a			R404a		

## Plug-in Icecream Freezer



MODEL	SPECIFICATION SHEET					
	GGF-L2D-PCA04			GGF-L2D-PCB04		
DESCRIPTION	4FT Plug-in Icecream Freezer			4FT Plug-in Icecream Freezer		
TEMPERATURE	≤-18°C(L1)			≤-18°C(L1)		
CLIMATE	25°C 60%RH (3 Class)			25°C 60%RH (3 Class)		
DIMENSION	Length	Depth	Height	Length	Depth	Height
	1250mm	610mm	1090mm	1255mm	790mm	1020mm
VOLUME	290L			290L		
POWER	220V,50Hz / 500W			220V,50Hz / 350W		
WEIGHT	110Kg			114Kg		
REFRIGERANT	R404a			R404a		

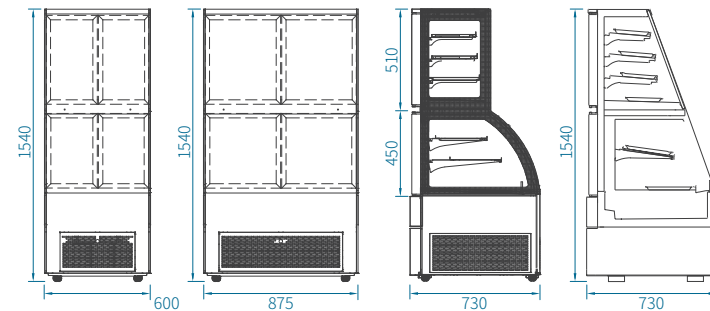


# SNACK EQUIP. >>>



# SNACK EQUIP.

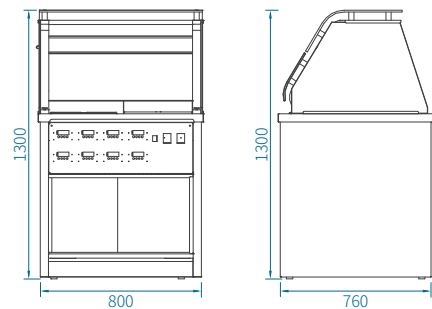
## Plug-in Hot & Chill Showcase



MODEL	GSF-HC-P02			GSF-HC-P03			GSF-HC-P03K		
	SPECIFICATION SHEET								
DESCRIPTION	2FT Plug-in Hot&Chill Showcase			3FT Plug-in Hot&Chill Showcase			3FT Plug-in Hot&Chill Self-service Showcase		
TEMPERATURE	upper 40~60°C & Lower 2~7°C(M2)			upper 40~60°C & Lower 2~7°C(M2)			upper 40~60°C & Lower 2~7°C(M2)		
CLIMATE	25°C 60%RH (3 Class)			25°C 60%RH (3 Class)			25°C 60%RH (3 Class)		
DIMENSION	Length	Depth	Height	Length	Depth	Height	Length	Depth	Height
	600mm	730mm	1540mm	875mm	730mm	1540mm	875mm	730mm	1540mm
VOLUME	154L			230L			230L		
POWER	220V,50Hz / 970W			220V,50Hz / 1751W			220V,50Hz / 1756W		
WEIGHT	186Kg			262Kg			262Kg		
REFRIGERANT	R404a			R404a			R404a		

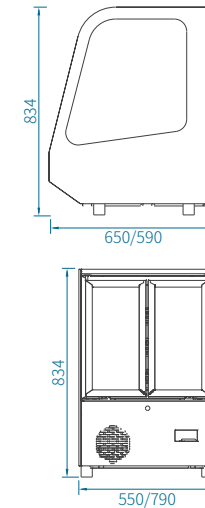


# Snack Tray



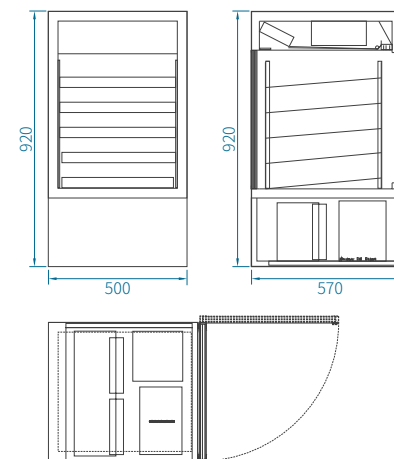
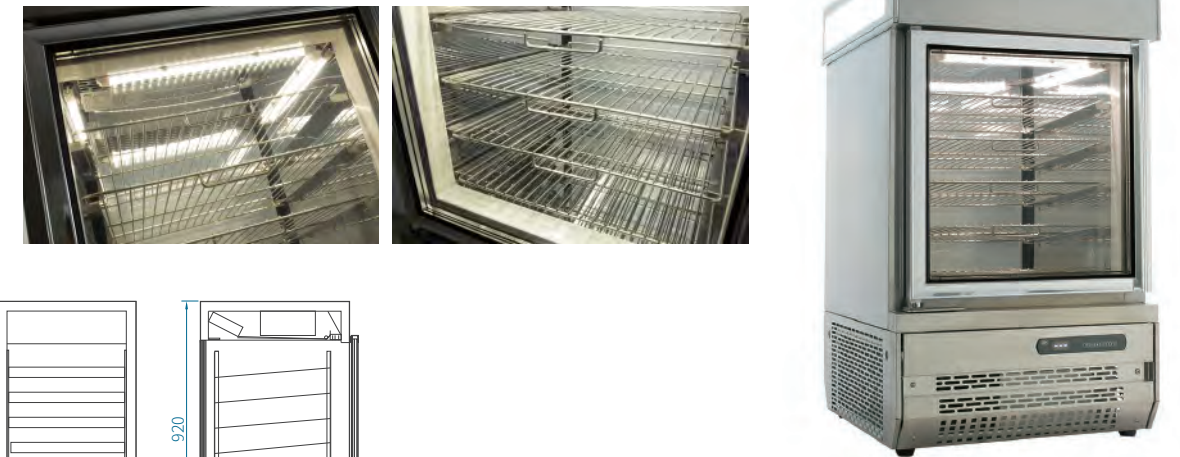
SPECIFICATION SHEET									
MODEL	GHC-CC-D8H			GHC-CC-D12H			GHC-CC-4K		
DESCRIPTION	Snack Tray			Snack Tray			Noodle Boiling-Pot Tray		
TEMPERATURE	82±5°C			82±5°C			65~99°C		
CLIMATE	25°C 60%RH (3 Class)			25°C 60%RH (3 Class)			25°C 60%RH (3 Class)		
DIMENSION	Length	Depth	Height	Length	Depth	Height	Length	Depth	Height
	800mm	850mm	1300mm	1200mm	850mm	1300mm	1250mm	850mm	1300mm
VOLUME	50L			66L			167L		
POWER	220V,50Hz / 5000W			220V,50Hz / 7212W			220V,50Hz / 8100W		
WEIGHT	99Kg			135Kg			90Kg		

# Desktop Chiller



SPECIFICATION SHEET						
MODEL	GGF-M2D-P02			GGF-M2D-P25		
DESCRIPTION	Desktop Chiller			Desktop Chiller		
TEMPERATURE	2~7°C(M2)			2~7°C(M2)		
CLIMATE	25°C 60%RH (3 Class)			25°C 60%RH (3 Class)		
DIMENSION	Length	Depth	Height	Length	Depth	Height
	550mm	650mm	834mm	790mm	590mm	834mm
VOLUME	41.6L			59L		
POWER	220V,50Hz / 475W			220V,50Hz / 430W		
WEIGHT	90Kg			105Kg		
REFRIGERANT	R404a			R404a		

# Desktop Freezer

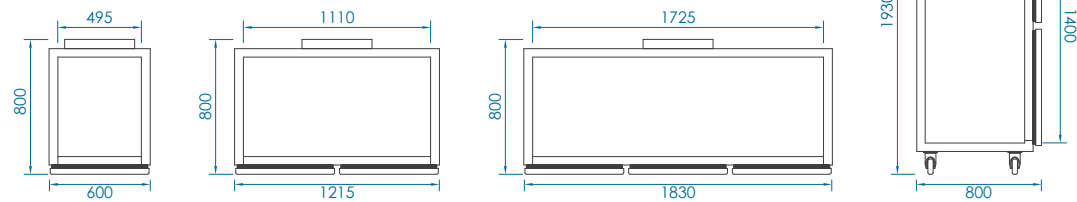


SPECIFICATION SHEET			
MODEL	GGF-L1D-P02		
DESCRIPTION	Desktop Freezer		
TEMPERATURE	≤-18°C(L1)		
CLIMATE	25°C 60%RH (3 Class)		
DIMENSION	Length	Depth	Height
	500mm	570mm	920mm
VOLUME	70.2L		
POWER	220V,50Hz / 853W		
WEIGHT	90Kg		
REFRIGERANT	R404a		



# SUS Vertical Chiller / Freezer

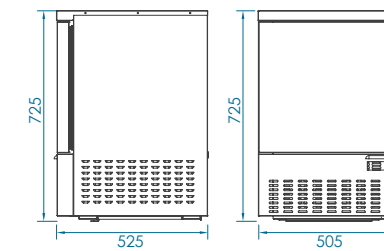
Specially designing of Circulation air duct for CVS.



SPECIFICATION SHEET									
MODEL	GX-DB0.4L2LD			GX-DB1.0L2LD			GX-DB1.6L2LD		
DESCRIPTION	2 doors SUS Vertical Chiller			4 doors SUS Vertical Chiller			6 doors SUS Vertical Chiller		
TEMPERATURE	-2~+10°C			-2~+10°C			-2~+10°C		
CLIMATE	32°C 60%RH			32°C 60%RH			32°C 60%RH		
DIMENSION	Length	Depth	Height	Length	Depth	Height	Length	Depth	Height
	600mm	800mm	1930mm	1215mm	800mm	1930mm	1830mm	800mm	1930mm
VOLUME	409L			917L			1425L		
POWER	220V,50Hz / 320W			220V,50Hz / 450W			220V,50Hz / 640W		
REFRIG. MODE	Air-cooled			Air-cooled			Air-cooled		
WEIGHT	R404a			R404a			R404a		

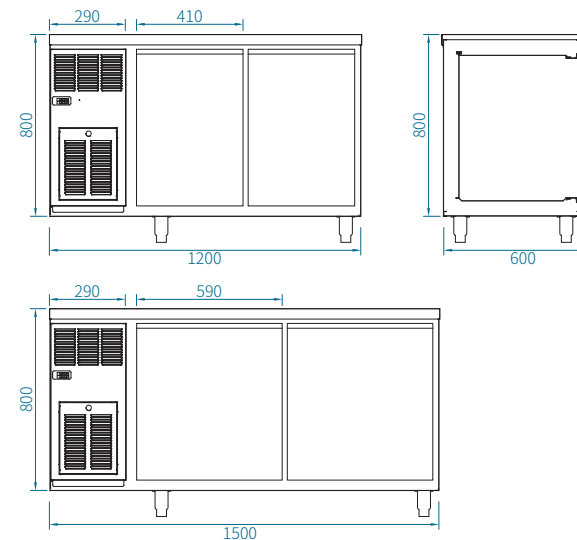
SPECIFICATION SHEET									
MODEL	GX-DB0.4L2LD-F			GX-DB1.0L2LD-F			GX-DB1.6L2LD-F		
DESCRIPTION	2 doors SUS Vertical Freezer			4 doors SUS Vertical Freezer			6 doors SUS Vertical Freezer		
TEMPERATURE	-6~-18°C			-6~-18°C			-6~-18°C		
CLIMATE	32°C 60%RH			32°C 60%RH			32°C 60%RH		
DIMENSION	Length	Depth	Height	Length	Depth	Height	Length	Depth	Height
	600mm	800mm	1930mm	1215mm	800mm	1930mm	1830mm	800mm	1930mm
VOLUME	409L			917L			1425L		
POWER	220V,50Hz / 470W			220V,50Hz / 710W			220V,50Hz / 920W		
REFRIG. MODE	Air-cooled			Air-cooled			Air-cooled		
WEIGHT	R404a			R404a			R404a		

# Mini Freezer



SPECIFICATION SHEET						
MODEL	GSF-L1D5072-L			GSF-M1D5072-L		
DESCRIPTION	SUS Mini Freezer			SUS Mini Chiller		
TEMPERATURE	≤-18°C(L1)			0~+10°C		
CLIMATE	25°C 60%RH (3 Class)			25°C 60%RH (3 Class)		
DIMENSION	Length	Depth	Height	Length	Depth	Height
	505mm	525mm	725mm	505mm	525mm	725mm
VOLUME	65L			65L		
POWER	220V,50Hz / 150W			220V,50Hz / 150W		
WEIGHT	41Kg			41Kg		
REFRIGERANT	R134a			R134a		

# SUS Work Table with Chiller / Freezer



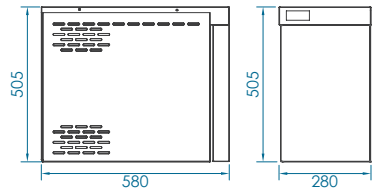
SPECIFICATION SHEET												
MODEL	GX-SLG4-0.20F			GX-SLG4-0.35F			GX-SLT4-0.20F			GX-SLT4-0.35F		
DESCRIPTION	1200 Table Chiller			1500 Table Chiller			1200 Table Freezer			1500 Table Freezer		
TEMPERATURE	0~10°C			0~10°C			≤-18°C(L1)			≤-18°C(L1)		
CLIMATE	32°C 60%RH			32°C 60%RH			32°C 60%RH			32°C 60%RH		
DIMENSION	Length	Depth	Height	Length	Depth	Height	Length	Depth	Height	Length	Depth	Height
	1200mm	600mm	800mm	1500mm	600mm	800mm	1200mm	600mm	800mm	1500mm	600mm	800mm
VOLUME	210L			285L			210L			285L		
POWER	220V,50Hz / 280W			220V,50Hz / 295W			220V,50Hz / 480W			220V,50Hz / 495W		
WEIGHT	95Kg			110Kg			95Kg			110Kg		
REFRIGERANT	R404a			R404a			R404a			R404a		



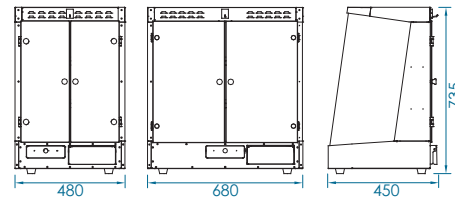
# Mini Desktop Chiller for Milk



SPECIFICATION SHEET			
MODEL	GSF-M1D2850FM		
DESCRIPTION	SUS Mini Chiller for Milk		
TEMPERATURE	-1~7°C (M2)		
CLIMATE	25°C 60%RH (3 Class)		
DIMENSION	Length	Depth	Height
	280mm	580mm	505mm
	VOLUME 16L		
POWER	220V,50Hz / 115W		
WEIGHT	24Kg		
REFRIGERANT	R134a		



# Desktop Warmer



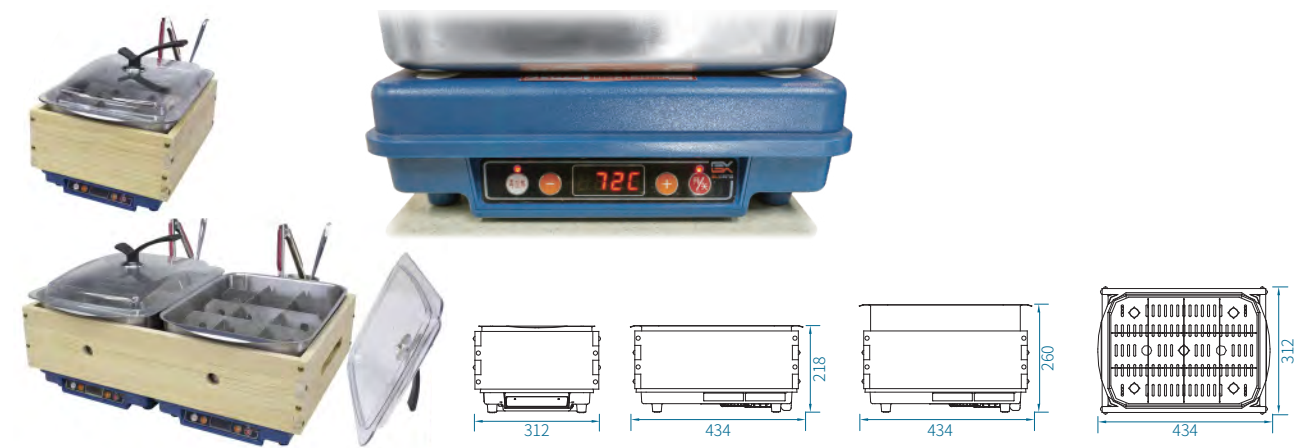
SPECIFICATION SHEET						
MODEL	GHC-TB-480		GHC-TB-680			
DESCRIPTION	480 Desk-top Warmer		680 Desk-top Warmer			
TEMPERATURE	30~75°C		30~75°C			
CLIMATE	25°C 60%RH (3 Class)		25°C 60%RH (3 Class)			
DIMENSION	Length	Depth	Height	Length	Depth	Height
	480mm	450mm	735mm	680mm	450mm	735mm
	VOLUME 93L			125L		
POWER	220V,50Hz / 760W		220V,50Hz / 895W			
WEIGHT	38Kg		50Kg			

# IH Oden / Noodle Boiling Pot



**Advantage:**

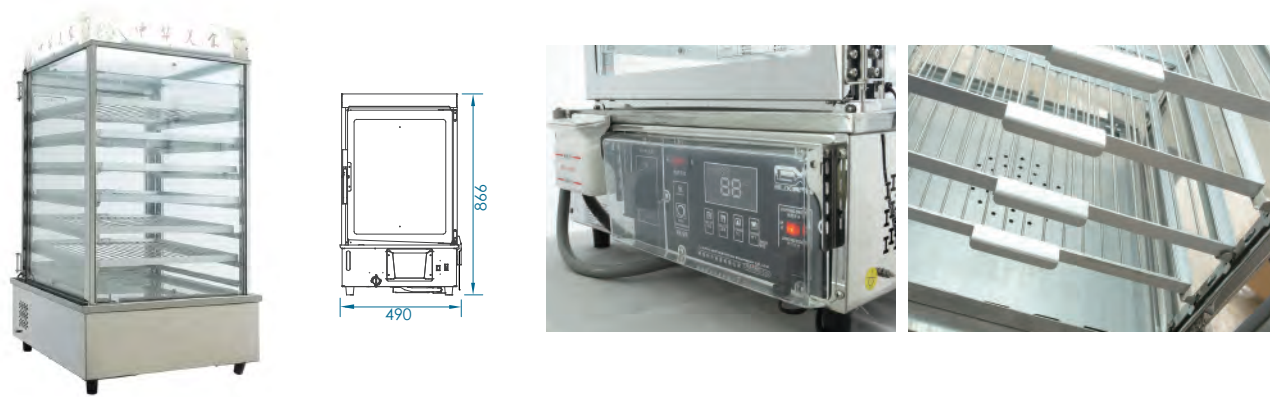
1. Thermal efficiency up to 87%.
2. More safe.
3. Stop working when the pot is removed.
4. Easily cleaning.
5. Microcomputer control, one key operation.
6. Temperature window, the temperature difference is 2 °C.
7. Stable circuit, and small heat generation.
8. Double fan to dissipate heat.



SPECIFICATION SHEET												
MODEL	GHC-OI12			GHC-OI12-2			GHC-OI17			GHC-OI17-2K		
DESCRIPTION	IH Oden Machine 120			2 ports IH Oden Machine 120			IH Oden Machine 170			2 ports IH Oden Machine 170		
TEMPERATURE	65~99°C			65~99°C			65~99°C			65~99°C		
CLIMATE	25°C 60%RH (3 Class)			25°C 60%RH (3 Class)			25°C 60%RH (3 Class)			25°C 60%RH (3 Class)		
DIMENSION	Length	Depth	Height	Length	Depth	Height	Length	Depth	Height	Length	Depth	Height
	434mm	312mm	218mm	605mm	312mm	218mm	434mm	312mm	260mm	434mm	312mm	260mm
	VOLUME 10L			20L			17L			17L		
POWER	220V,50Hz / 1500W			220V,50Hz / 3000W			220V,50Hz / 1500W			220V,50Hz / 1800W		
WEIGHT	11Kg			21Kg			13Kg			25Kg		



## Steaming Warmer



SPECIFICATION SHEET						
MODEL	GX-SGM-6S			GX-SGM-7S		
DESCRIPTION	Steamer 96			Steamer 175		
TEMPERATURE	70±5°C			70±5°C		
CLIMATE	25°C 60%RH (3 Class)			25°C 60%RH (3 Class)		
DIMENSION	Length	Depth	Height	Length	Depth	Height
	490mm	545mm	866mm	680mm	450mm	735mm
VOLUME	85L			125L		
POWER	220V,50Hz / 1300W			220V,50Hz / 1500W		
WEIGHT	35Kg			50Kg		

## Vertical Warmer



SPECIFICATION SHEET			
MODEL	GHC-LB		
DESCRIPTION	Vertical Warmer		
TEMPERATURE	70±5°C		
CLIMATE	25°C 60%RH (3 Class)		
DIMENSION	Length	Depth	Height
	570mm	600mm	1830mm
VOLUME	260L		
POWER	220V,50Hz / 820W		
WEIGHT	112Kg		



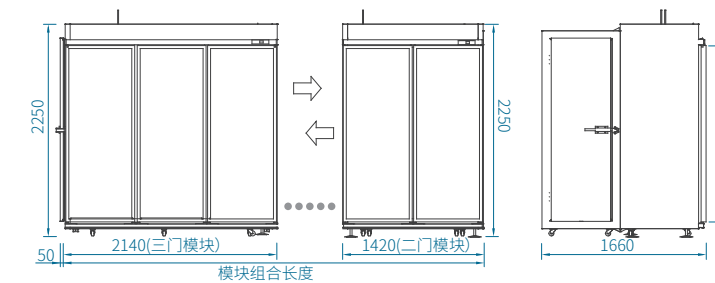
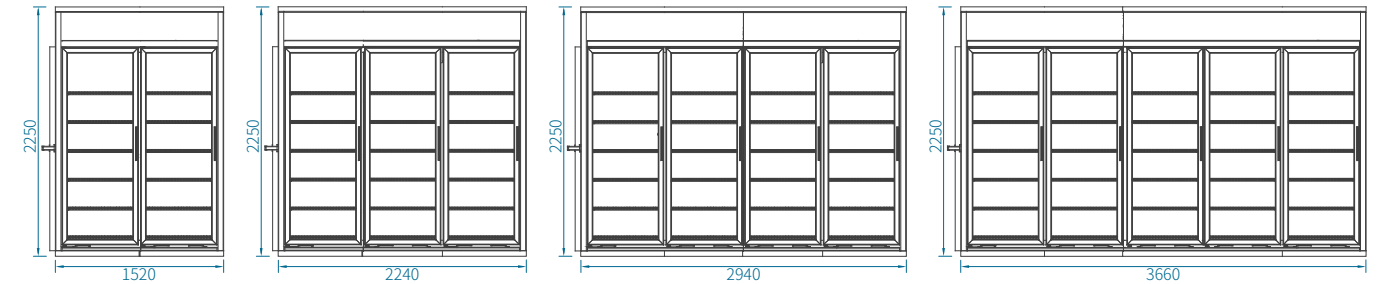
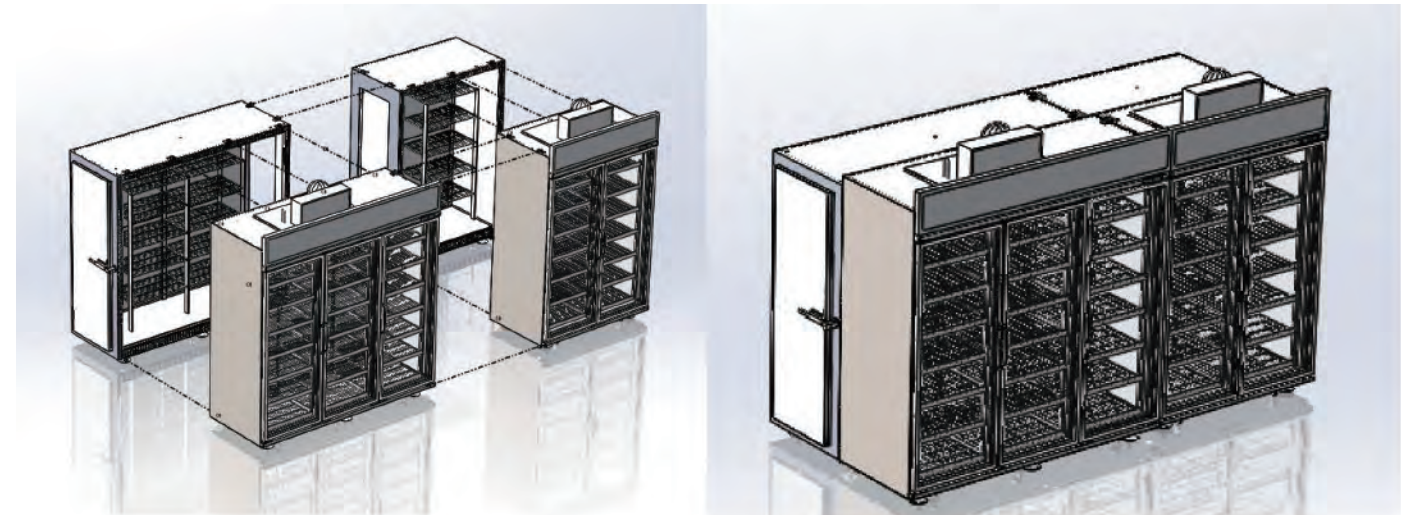


# Modular Walk-in Room With Glass-Door



## Advantage:

1. Rapid construction using prefabricated components.
2. Flexible combination.



SPECIFICATION SHEET			
TEMPERATURE	≤-18°C(L1)		
CLIMATE	25°C 60%RH (3 Class)		
DIMENSION	Length	Depth	Height
	710mm/door	1640mm	2065mm